

HYDRAULIC DIRECTIONAL CONTROL VALVES



Description

For starting, controlling and stopping the working fluid between the generator of pressured flow, the consumers and the Tank.

Specifications

1. Valve monoblock	
2. Mounting	3 bolts M8
3. Pressure connections	internal thread
4. Ambient temperature	-40C...+60C
5. Pressure medium	mineral oil based hydraulic oil
6. Viskosity	12...800 mm ² /s permissible range 20...100 mm ² /s recommended range
7. Fluid temperature	-15C...+80C
8. Filtration	Oil contamination 10 to NAS1638
9. Max. operating pressure	P = 250 bar T = 50 bar A, B = 300 bar
10. Internal (46 mm ² /s)Leakage (A, B – T)	8 cm ³ /min at 100 bar
11. Nominal flow	80 l/min (see “operating” diagram)
12. Spool stroke	±7 mm
13. Actuating force	< 220 N in spool axis direction

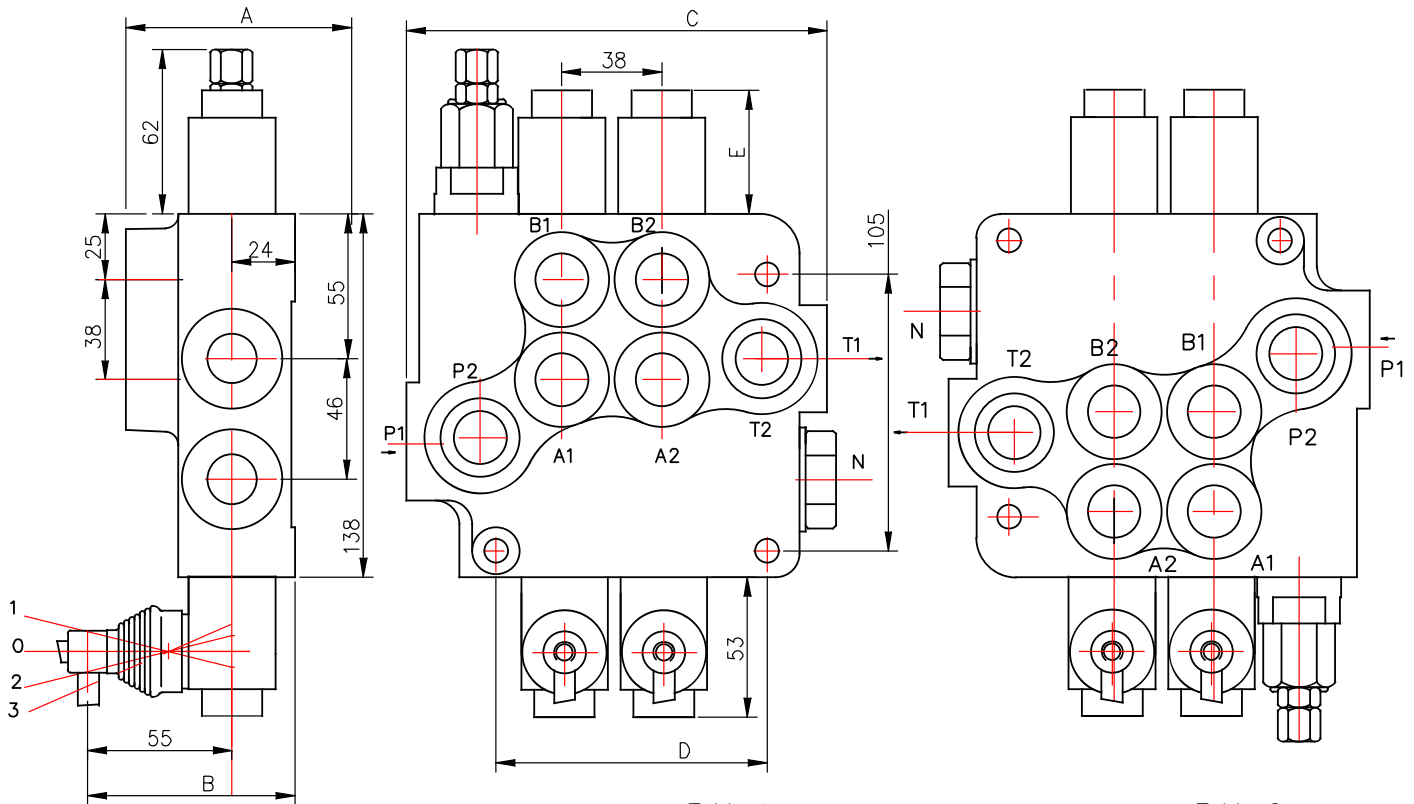


Table 1

	A	B	C	D	P1	P2	T1	T2
P80	65	79	107	65	*	*	-	-
2P80	80	94	160	103	*	*	*	*
3P80	80	94	198	141	*	*	*	*
4P80	80	94	236	179	*	*	*	*
5P80	80	94	274	217	*	*	*	*
6P80	80	94	312	255	*	*	*	*

Table 2

Spool control	E
1, 4, 5, 6, 7, 8, 9, 10, 11,	40
2, 3, 12, 14	72
13	44

0 _____
 block with common check valve
 2 _____
 number of spools
 P80 _____
 directional control valve type ...
 R _____
 inlet high pressure – right
 1 _____
 relief valve; – standard setting 175 bar;
 (svp) relief valve blanking plug;
 (4) Spring for 160 to 315 bar; standard setting 220 bar;
 way of distribution/parallel or .../
 A _____
 first spool distribution type
 1 _____
 spool control/detend and estr./
 A _____
 second spool distribution type
 1 _____
 spool control/detend and estr./
 G _____
 ports /treads/
 KZ1 _____
 general operation feature
 T _____
 with "teton"
 H _____
 operation feature /pneumatic, .../
 E _____
 with electric switch
 C2 _____
 high pressure carry over
 11 _____
 connection ports in use

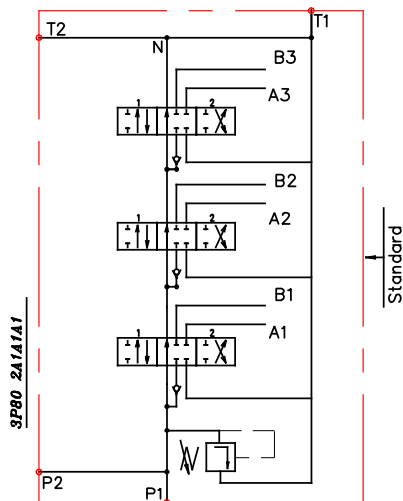
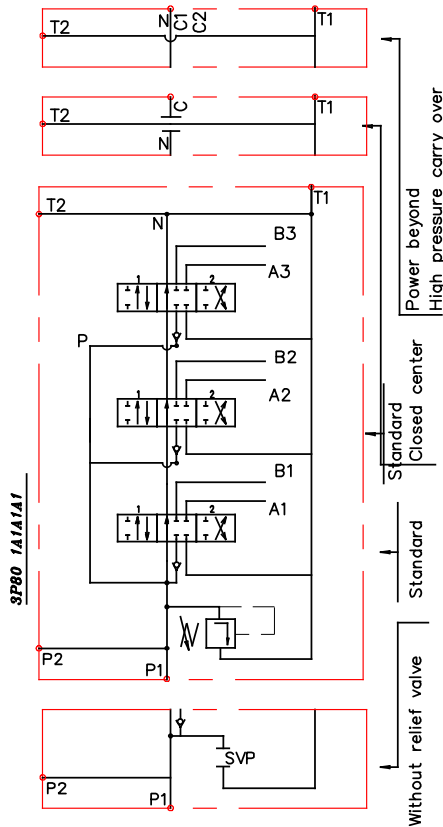


Table 3

code	Number of spools
	1
	2
	3

Table 4

code	way of distribution
1	parallel
2	tandem(series parallel)

ets.

Table 5

code	spool type
A	
B	
C	
D	
E	
F	
G	
H	
M	
N	
O	
P	
Q	
R	
S	
T	
L	

Table 6

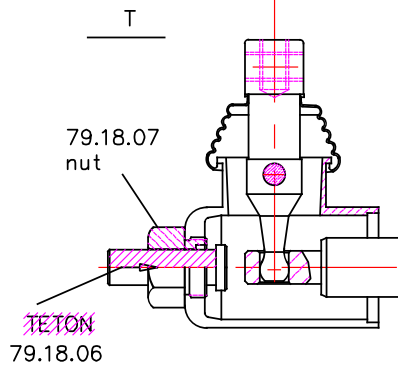
code	spool control
1	
2	
3	
4	
5	
6	
7	
8	
9	
10	
11	
12	
13	

Table 7

code	incorporated microswitch
E	<div style="display: inline-block; vertical-align: middle;"> <p>mikroswitch type Omron-V 165 I C5</p> </div>

Table 8

code	operation feature
P	on-off pneumatic control; 5-10 bar ; ports G1/4
H	on-off hydraulic control ; pn = 5 - 20 bar ; ports G1/4



P80

Table 9

code	ports (threads)			
	P	A ; B	T	N
M	M22x1.5	M22x1.5	M26x1.5	M26x1.5
G	G1/2	G1/2	G3/4	G3/4
S	7/8-14UNF	7/8-14UNF	1 1/16-14UNF	1 1/16-14UNF

kind of hand control

Table 10

code	feature	code	feature	code	feature
KZ		KY		KI	
KZ1		KY1		KI1	
KZ0		KY0		KI0	
KZ01		KY01		KI01	
_ without hand control					

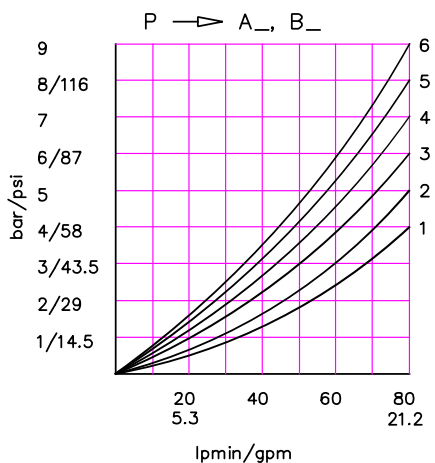
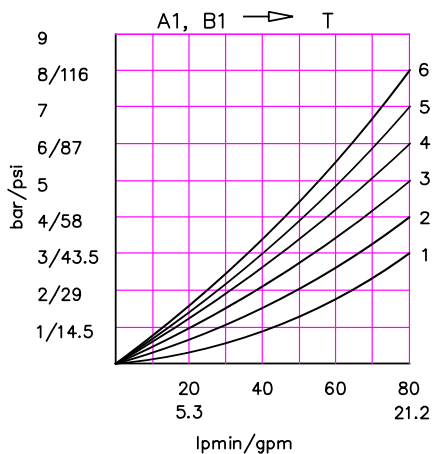
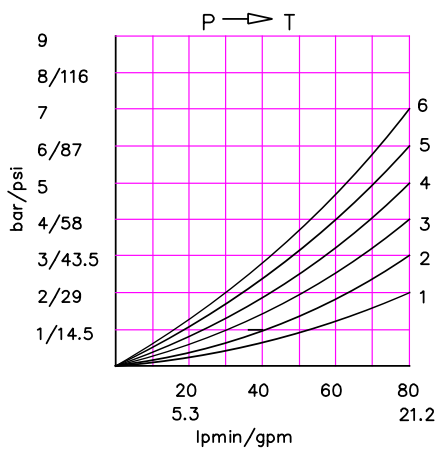
Table 11

code	feature	feature
C	closed center	
C2	part for power beyond sleeve(carry over)	
-	without part for pressure carry over	
X	power beyond ever to tank	

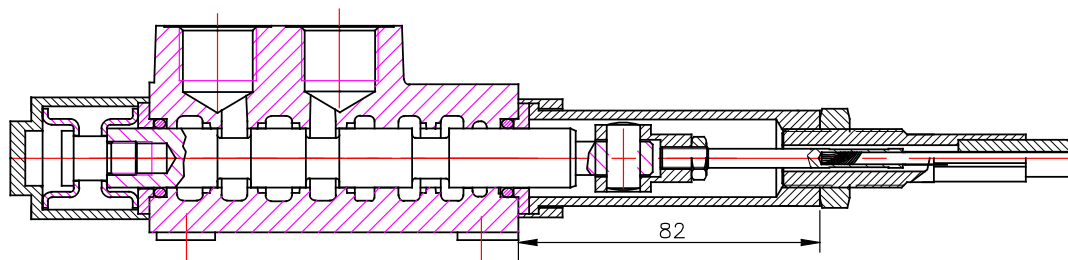
Table 12

code	used connection ports
11	P1 ; T1
12	P1 ; T2
21	P2 ; T1
22	P2 ; T2

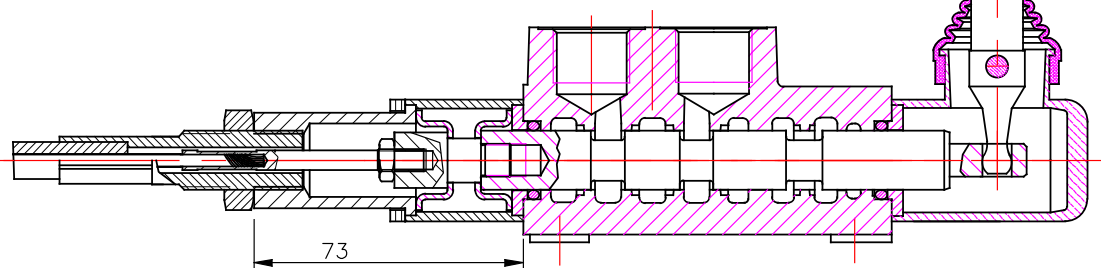
P80 directional control valve



REMOTE CONTROLS



P80 A1G V1(l= . . .)+ 3047
spool valve cable control body



P80 A1G V2KZ1(l= . . .)+ 3047
spool valve cable control body

Cable "INDEMAR" Cod. IT 3056 /l=1.00; 1.50; 2.00; 2.50; 3.00 m/

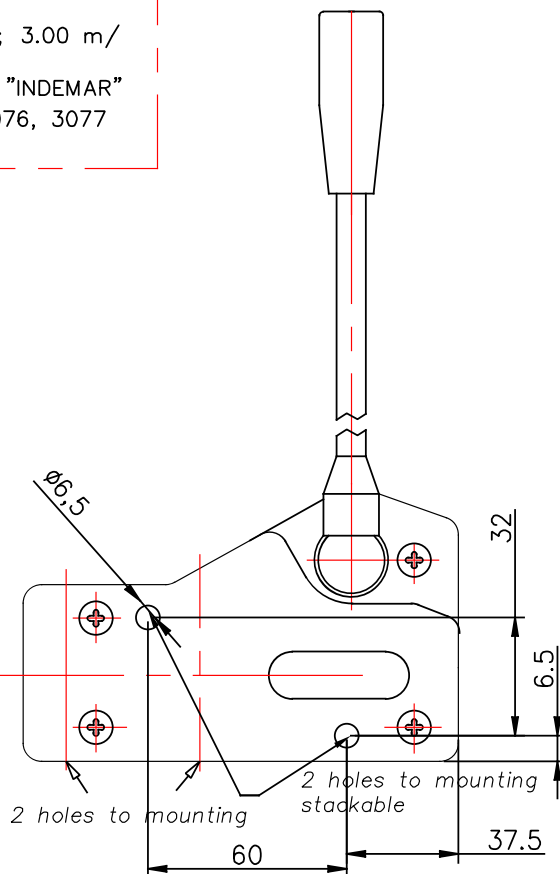
+control body "INDEMAR"
code 3047, 3076, 3077

Technical specifications

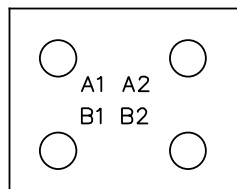
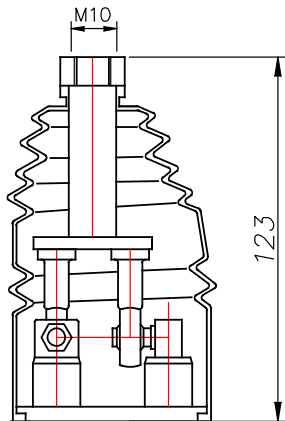
	3047	3076	3077
Stroke	13+13 mm	13+13 mm	13+13 mm
Max. load	45 kg	45 kg	45 kg
Level ratio	10:1	10:1	10:1
Lock in neutral	No	No	Yes
Antireverse lock	No	Yes	No
Body colour	Black	Black	Black
Cables type	Heavy Duty	Heavy Duty	Heavy Duty
Operating temperature	-40/+80C	-40/+80C	-40/+80C

High solidity controls for easy mounting on every type of distributor. They can be mounted stand alone or packed together.

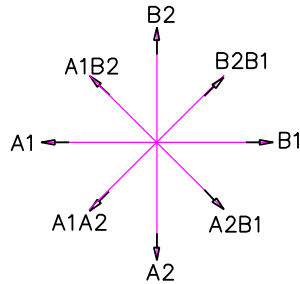
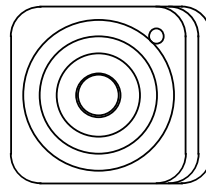
They use push-pull heavy duty cables that provide a positive smooth operating lever and are manufactured in a three different models to meet different needs of Clients.



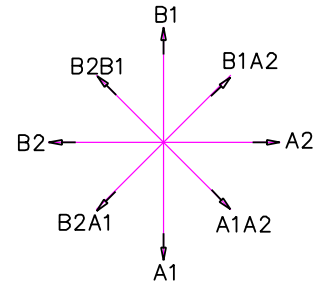
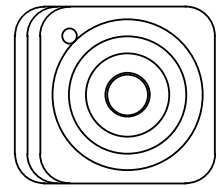
This control gives the possibility to operate, at the same time two spools with a "+" movement.



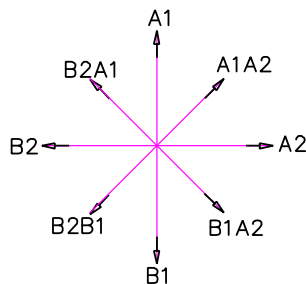
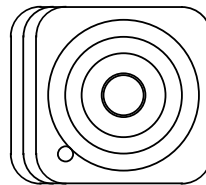
standard version 1



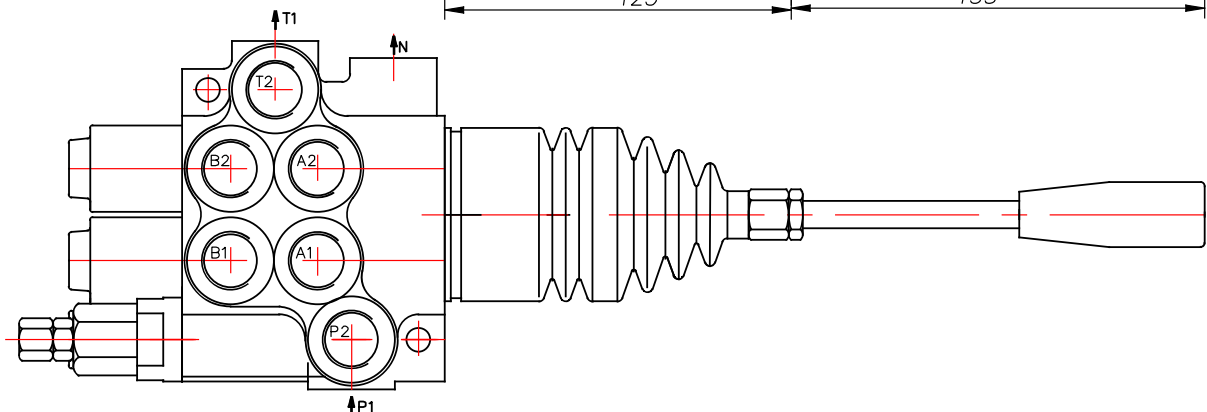
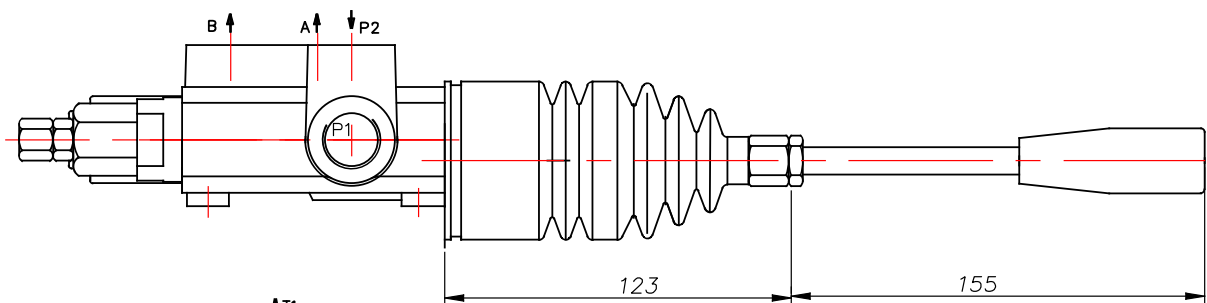
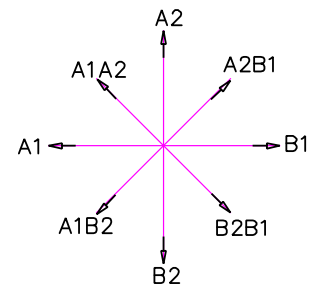
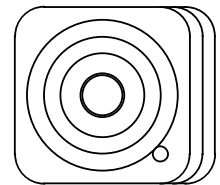
standard version 2



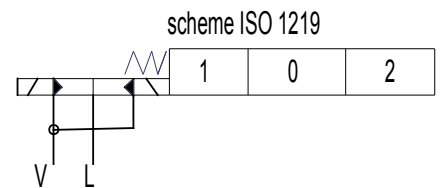
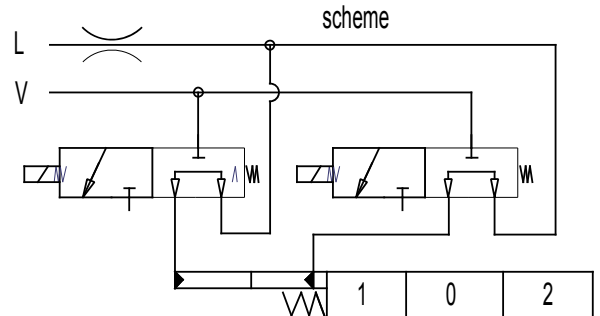
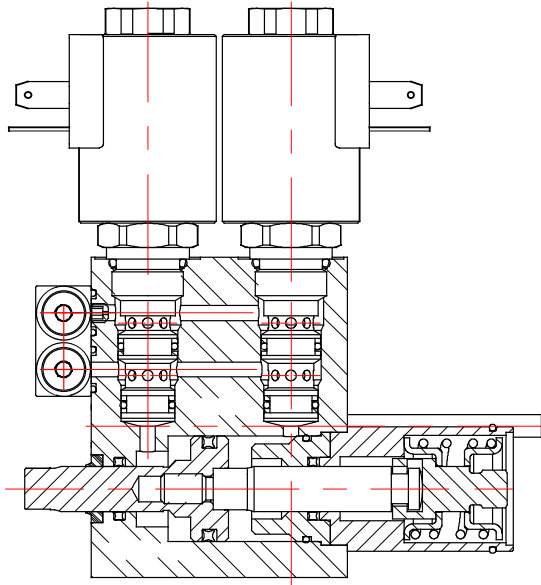
standard version 3



standard version 4



ED3 – electro-hydraulic control ON-OFF



Operating pressure min 10 bar(145 psi)
max 50 bar(725 psi)

Max operating pressure in L (T line) 25 bar(360 psi)

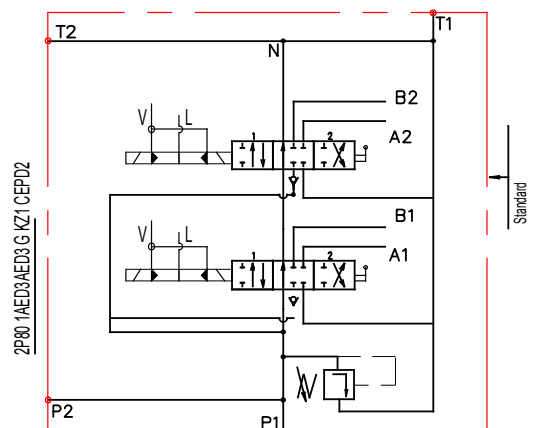
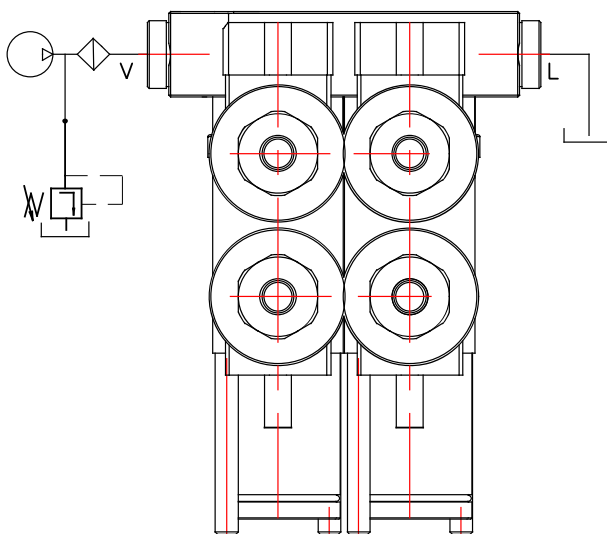
Solenoid operating features

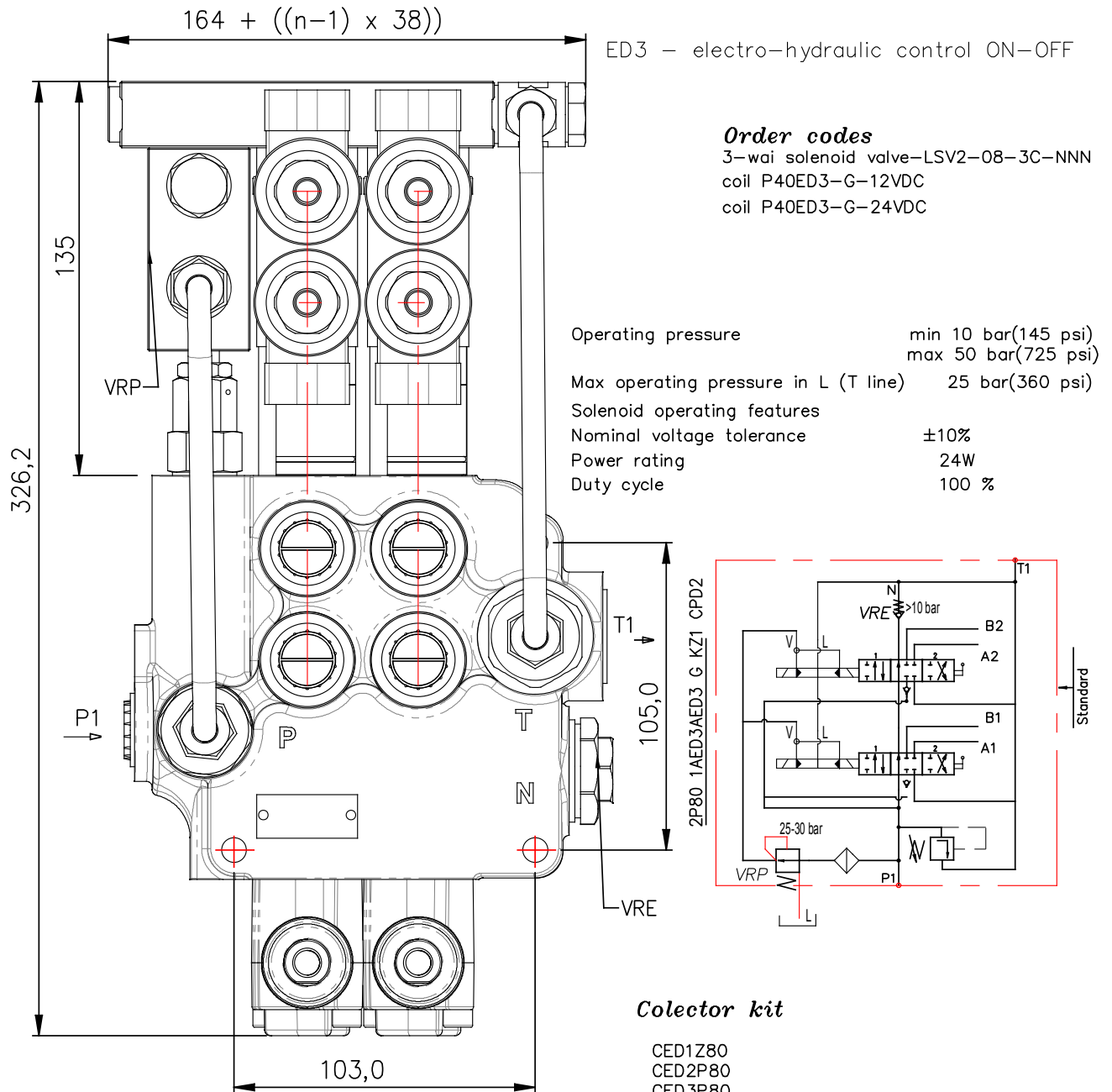
Nominal voltage tolerance ±10%

Power rating 24W

Duty cycle 100 %

Collector kit for external pilot and drain – CEED...(1,2,3 ...)

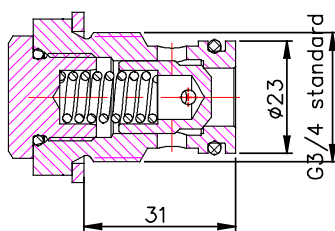




Colector kit

- CED1Z80
- CED2P80
- CED3P80
- CED480

Back pressure valve VRE-P80



Pressure drop N-T

